



Recycling Equipment, Inc.

Paper & Document Shredder

MODELS REI 300, REI 500, REI 750, REI 1000

DIMENSIONS

Each shredder has a frame size of 47 1/4 in. high x 36 in. wide x 59 in. long with a 28 in. long infeed conveyor. Each successive model has more power, a larger drive train and greater shredding capacity/throughput. All shafts, cutters, bearings, etc. are sized for the largest horsepower in the series.

CUTTERS

Precision ground, A-2 tool steel cutters have positive saw-tooth grip. This high grade alloy is known for its durability and its ability to hold a cutting edge. These cutters will easily shred mylar microfilm, microfiche, large and small paper clips, staples, credit cards and Acco fasteners without harm to the cutters.

SHRED WIDTH

All models of REI Light Duty Industrial Paper Shredders can shred paper up to 16 in. wide and into 5/16 in. wide strips. Other shred widths are also available.



REI offers four models of Conveyor-Fed Light Duty Industrial Paper Shredders. These large, powerful units are designed for high volume, centralized shredding and secure document destruction. These shredders can be matched to balers, both horizontal and downstroke.

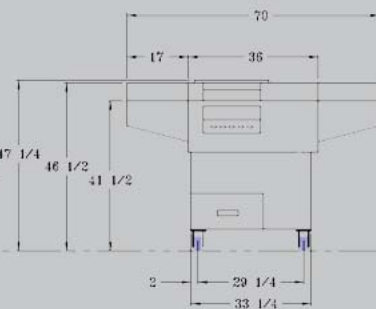
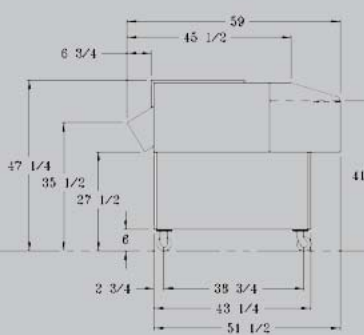
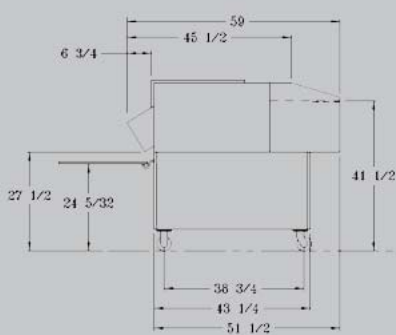
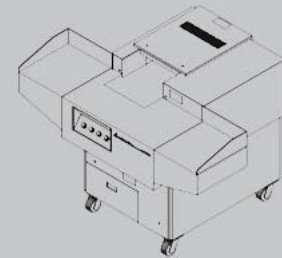
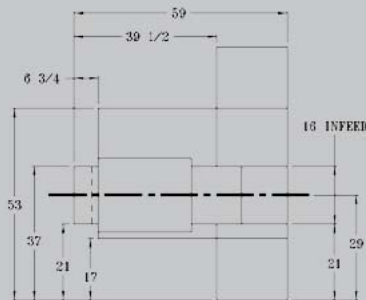
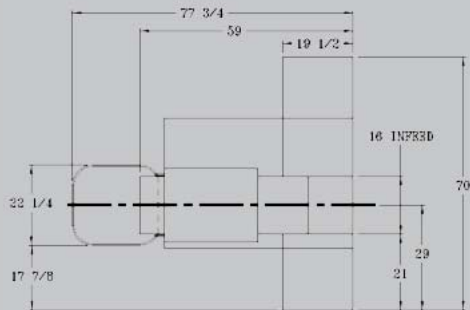
Our shredders and grinders offer a superior design, PLC controls, high energy efficiency motors, easy maintenance and a preventive maintenance program that is backed by our service repair team.



Stripcut Sample



Crosscut Sample



SPECIFICATIONS	REI 300	REI 500	REI 750	REI 1000
Drive HP	3	5	7.5	10
Speed (FPM)	49.5	47.8	66.7	96.2
Voltage (V/PH/Hz)	460/3/60	460/3/60	460/3/60	460/3/60
Throat Opening (in.)	16	16	16	16
Capacity Sheets	90-105	135-150	150-180	150-180
Lbs./hr.	400-600	600-800	800-1,200	1,000-1,200
Dimensions (H x W x L) (in.)	47.25 x 36 x 59	47.25 x 36 x 59	47.25 x 36 x 59	47.25 x 36 x 59